

PANHANS

QUALITÄT SEIT 1918



245|100

245|200

245|300

MILLING MACHINE

MADE IN GERMANY

245|300

Our swivel milling machine 245|300 in full equipment is the absolute all-rounder for small and large joineries.



MOTOR POWER
7,5 kW / 10 hp



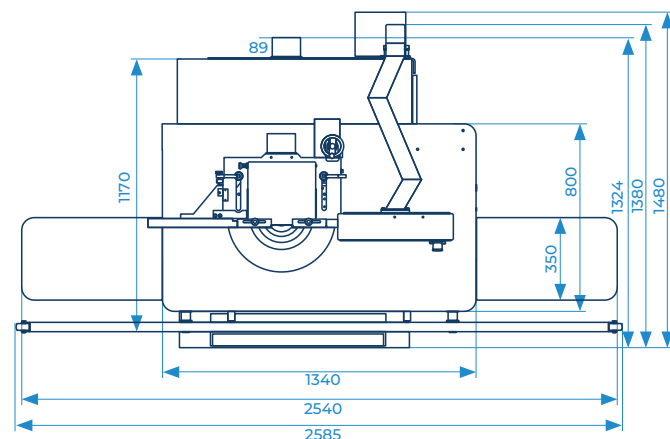
VOLTAGE
400 V / 50 Hz



SPACE REQUIREMENT
1145 x 1380 mm

TECHNICAL SPECIFICATIONS

Table size	1100 x 760 mm
Table height	870 mm
Clamping height	140 mm
Height adjustment	125 mm
Control:	scratch and impact resistant
Capacitive 7" touch screen	resistant
Double-sided swivelling, fixed milling spindle	
Swivelling range	von +/- 45,5°
4-axis positioning control for height and swivel adjustment, milling stop, total stop and partial stop right	
Tool and program memory	500 tools
Electronic position and speed indicators	
Stepless speed regulation	1.500–10.000 rpm
Left and right rotation	
Finely planed cast iron table with rigid frame support	
Operator panel can be used either above or below	
Milling stop 302	
Fully electronically controlled total and partial stop adjustment	
Milling protection and push equipment	GAMMA V 1629
Bottom milling stop	1639 Tapoa
Milling spindle with quick clamping nut	30 mm



FUNCTIONS

- 1 MILLING SPINDLE**
Fixed installation and double-sided swivelling of +/- 45,5° with quick-clamping device.
- 2 4-AXIS POSITIONING CONTROL**
For height and swivel adjustment, milling stop, total stop and partial stop on the right.
- 3 CAST IRON TABLE**
Fine-planed and with extendable frame support.
- 4 7" TOUCHSCREEN-CONTROL**
Capacitive touch screen (scratch and impact resistant), can also be operated with gloves. With language selection in German, English, French and Dutch (other languages on request). Includes tool database for storing up to 500 tools (per tool 100 programs are possible).
- 5 DETACHABLE CONTROL UNIT**
Touchcontrol can also be mounted on the rigid (or extendable) frame support.
- 6 SPEED ADJUSTMENT**
Electronic, stepless speed adjustment from 1,500 – 10,000 rpm (11 kW frequency converter).
- 7 REMOTE MAINTENANCE**
Remote maintenance possible via the Internet using a VPN tunnel.
- 8 PATENTED SLIDE PLATE**
PANHANS-patent for convenient and tool-free closing of the table opening on the tool.
- 9 SWIVEL AWAY CONSOLE**
For automatic transport of the workpiece along the tool.
- 10 COMFORT-WAY SWIVEL DEVICE**
By swivelling away the table structure, you achieve an absolutely flat work surface.

THE PANHANS-PASSION:

The machine at your side:
strong, solid and lifelong.



SAFETY AT THE HIGHEST LEVEL

Only authorized persons can start the machine by means of a personalized chip. With our milling machines of the series 245|100 to 245|300, our Machine Access Control "TM300" is optionally available.



DIGITALE CONTROL

Stepless speed adjustment from 1,500 to 10,000 rpm. Up to 4-axis positioning control for height and swivel adjustment, milling stop, total stop and partial stop on the right. With a tool database for storing up to 500 tools.



MILLING CUTTER QUICK-CLAMPING DEVICE

Milling spindle with milling cutter quick-clamping device for quick tool change serves for process optimization in your workshop process. Available with various interchangeable systems.



SWIVEL AWAY CONSOLE

The console with its transport rollers is a great support for automatic transport when machining large workpieces. A practical feature to save manual effort and to be able to machine workpieces in detail.



OPTIONS

- ⊕ **MACHINE ACCESS CONTROL**
Key system TM 100, TM 200 or TM 300 with personalized key.
- ⊕ **ZEROMASTER**
Reference dimension adjuster for exact zero point height adjustment.
- ⊕ **TURNTABLE**
Milling stop can be rotated 360° on the machine table.
- ⊕ **PATENTED SLIDE PLATE**
PANHANS-patent for convenient and tool-free closing of the table opening on the tool.
- ⊕ **EXTENDABLE FRAME SUPPORT**
Smooth-running, extendable frame support with an extension depth of approx. 892 mm from the center of the milling spindle.
- ⊕ **TABLE LENGTH EXTENSION**
One-sided or two-sided extension of the table with emergency stop button and extendable frame support (also available with turntable).
- ⊕ **KICK-BACK GUARD**
For safe insert milling of long and short parts.
- ⊕ **COMFORT SWIVEL AWAY DEVICE**
Electromotive lifting and lowering of the milling stops.
- ⊕ **1-SET SAFETY RULERS**
Continuous guidance between the two stop plates.
- ⊕ **INTEGRAL STOP PLATES**
Swivel guide rods for a continuous guide surface integrated in the stop plates.
- ⊕ **MILLING SPINDLE**
With the diameters 30 mm, 35 mm, 40 mm, 50 mm and 1 1/4".
- ⊕ **HSK QUICK-CHANGE SYSTEM**
HSK 63 F, HSK 80 and HSK 85 Powerlock.
- ⊕ **ROLLER TABLE, LENGTH STOP, TENONING AND SLOTTING UNIT, PROTECTIVE HOOD, POWER FEED, CONSOLE, CENTRAL LUBRICATION**



Scan QR code and go directly
to milling machine 245|300



PANHANS

QUALITÄT SEIT 1918

PANHANS IS A BRAND OF
HOKUBE|MA Maschinenbau GmbH

📍 Anton-Günther-Straße 3-7
D-72488 Sigmaringen

☎️ Tel. +49 (0)7571 755-0
Fax +49 (0)7571 755-222

✉️ info@hokubema-panhans.de

🌐 www.panhans.de

🛒 www.hokubema.com

📱 #Holzkunststoffbearbeitungsmaschinen

MADE IN GERMANY

HOKUBE|MA

PANHANS
QUALITÄT SEIT 1918

SIITEC
SICHERHEITSTECHNIK

